

Product Information

BCS-2 SDK

Software Development Kit

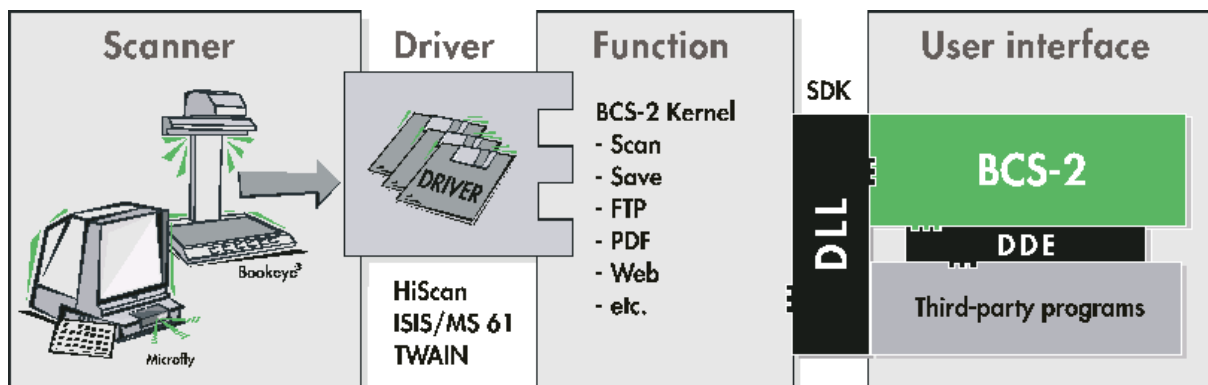
What is SDK?

SDK stands for “**S**oftware **D**evelopment **K**it“ and offers experienced application developers the tools needed to integrate BCS-2 functions and/or the user interface in their own applications. There are two interfaces:

- DDE „**D**ynamic **D**ata **E**xchange“ is a standard interface between Windows applications. DDE enables quick integration of BCS-2 in other applications using the BCS-2 user interface.
- DLL “**D**ynamic **L**ink **L**ibrary” is an interface that is used to call the BCS-2 functions directly, rather than via the user interface. The BCS-2 functions are directly integrated into the developer’s program with its own user interface.

Product Description

The basic idea of the SDK is to control BCS-2, and thereby all scanners supported by BCS-2, from third-party programs. These can be classical Microsoft applications like Access or bespoke programs in C, C++ or VisualBasic.



Advantages of the SDK

- The third-party program can use all the scanner functions supported by BCS-2 without having to program for the specifics of each scanner (e.g. a microfilm scanner), or having to program the user interface.
- Imaging and workflow applications interfaced with Microsoft-Outlook/ Exchange/ Lotus Notes can be integrated quickly based on standard programs. All the usual file formats like TIFF, PDF, etc. are already created by BCS-2.

- By using and extending existing applications with BCS-2, BCS-2 contributes to the protection of investments in existing applications and reduces the support and training needs of the users.

Applications

- Integration of scanners in existing library applications, e.g. Alegro, PICA, SISIS etc.
- Integration of receipt scanning in commercial applications, e.g. Navision, SAP.
- Connection of "scanning on demand" applications with BCS-2 to customer-specific billing or cost-center systems.
- Integration of large microfilm stocks in banking and insurance into the mainframe office environment and workflows.

Functions

Among others, the following functions can be accessed with the BCS-2 SDK:

- Scan a page and give the file name and location
- Open a scan order and scan pages to the order
- Set and read the current settings, (format, resolution, orientation)
- Export a BCS-2 order
- Send a BCS-2 order by e-mail
- Send BCS-2 order with FTP
- Print a BCS-2 order

Prerequisites

- BCS-2 from version 2.93

Installation, Delivery

Apart from the interfaces and the documentation, the SDK includes a one-and-a-half day training by ImageWare Components, in which the integration of BCS-2 is implemented with a concrete customer example.

Scanners Supported

- Bookeye® DBS-2 GS, DBS-3 GS
- Fujitsu M3091, M3092, M3093, M3096, M3097, M3099
- Canon DR 3020, DR 3080C, DR 5020, DR 5080C, DR 4080U
- Microfiche scanners SCM-2, Canon MS 400, MS 500, MS 800
- Others on request

Contact

bc2-2@imageware.de